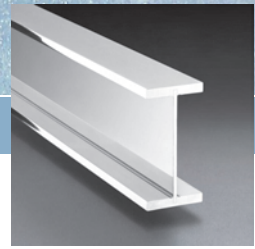
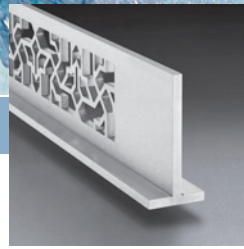
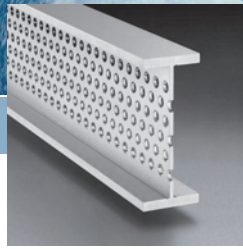
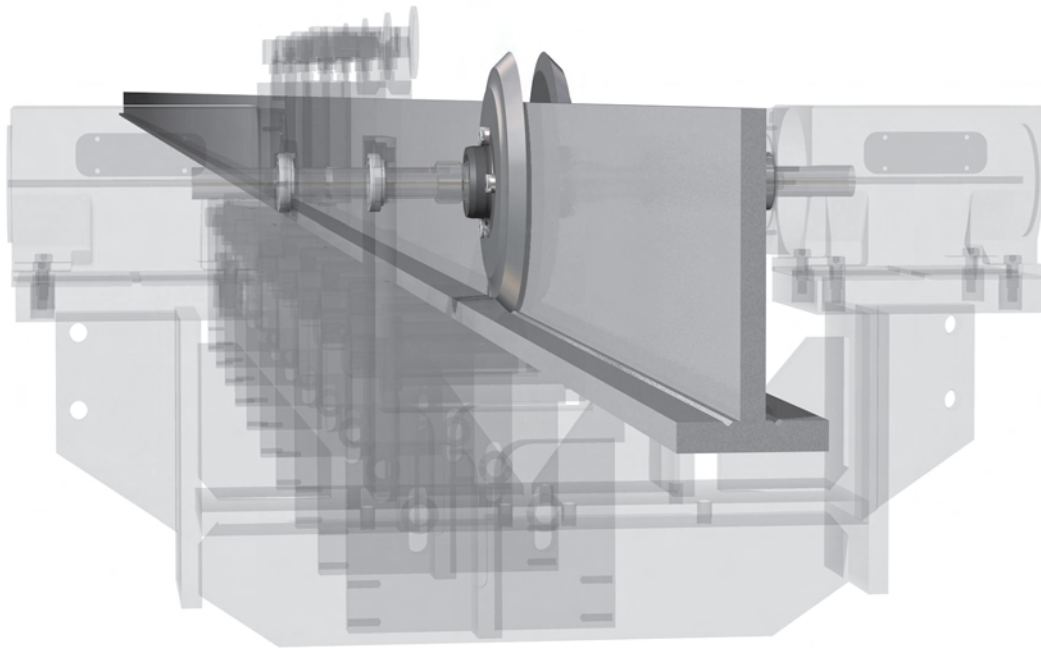




Roll Forming



This innovative technology is based on a mechanical roll forming process. Due to the high design flexibility, functional optimization and high precision, these profiles have achieved a great popularity amongst architects for visible and representative steel constructions. Apart from standard geometries like I-Beams and T-Beams we offer the possibility to create asymmetric beams.



These eye-catching Design Beams can be used to create attractive environments for private and public areas. **RF-Profiles** generate an elegant atmosphere and provide smart solutions for steel-glass objects of all kinds.

Tolerances	IT 13 to IT 12
Straightness	down to 1.0 mm/m
Size range	from 30x30 mm to 400x200 mm
Surface finish	hot rolled and cold finished
Grades	stainless steel & carbon steel